



Stretch Film



Tapes



Safety



Poly Bags,
Mailers & PLE's



Labels

WRAP TITE®

"Your Source for Packaging, Shipping, & Safety Supplies"

www.wraptite.com **Distributors Only**

An ISO 9001:2015 Certified Company



Our Values

- * 1-2 Working Days Shipping on Most Stock Items
- * Excellent Quality, Competitive Prices & Superior Service Under One Roof!
- * No Minimum Orders
- * Over 1200 SKU's In Stock
- * Confidential Drop Shipments & Private Labeling
- * Volume Discounts



Quick Reference Guide



Labels

High Quality.
Industry Specific.

The Wrap Tite Shield Label includes a full line of Direct Thermal and Thermal Transfer Labels- on rolls as well as fanfold, blank as well as printed and in colors. They are important to keep your Warehouse, Racking, Inventory and Shipments identified and organized! Our Bright-White Labels print in many Table-Top, Desk-Top and Mobile Printers. Add any one of our Color Labels to make a shipping impact or to identify and rotate inventory...the possibilities are endless!

Whatever the means, we'll provide you with the resources for low cost shipping, more convenient and economical options to protect food, parts and materials. If you're not sure what you need, ask a Wrap Tite Representative for recommendations. Our excellent quality, competitive prices, volume discounts along with our world class service makes us one of the renowned supplier of various packaging products in the packaging world. As always, we are your one-stop-shop for all your Packaging needs.

THERMAL TRANSFER LABELS

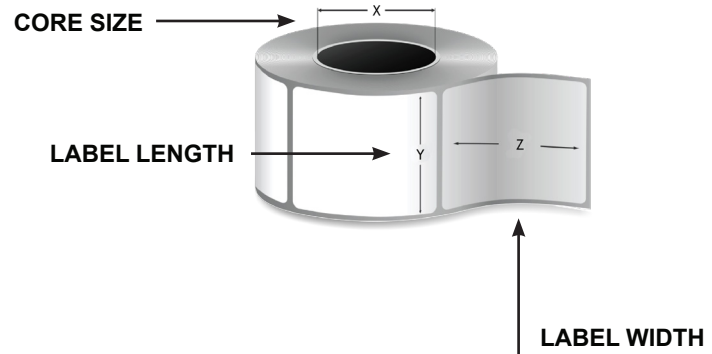
Thermal Transfer Label Rolls

- Soft Matte, Ultra-White Face For Maximum Printability
- High Bond Adhesive
- Ideal For Packaging, Shipping, Receiving, Warehousing and Inventory Management
- 3" Core

Item No.	Product Description
LB32-RTT, LB35-RTT, LB42-RTT, LB43-RTT, LB44-RTT, LB46-RTT, LB465-RTT	3" x 2", 3" x 5", 4" x 2", 4" x 3", 4" x 4", 4" x 6", 4" x 6.5"

*Ribbon Required

* **CUSTOM SIZES AVAILABLE**



* **CUSTOM COLORS AVAILABLE**



888.Wraptite (972.7848)
www.wraptite.com

PHONE: 440-349-5400

FAX: 440-349-5432

info@wraptite.com

Visit www.wraptite.com to see more products and tons of special offers.

Thermal Transfer Fanfolded Labels

- Stacks Neatly
- Ideal For Large Volume Printing
- Easy Transition From One Stack To The Next; No More Roll Changes



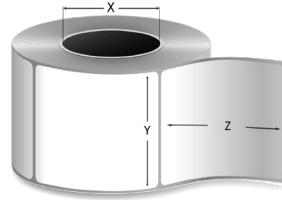
Item No.	Product Description
LB46-FTT	4" x 6"

* CUSTOM SIZES AVAILABLE

DIRECT THERMAL TRANSFER LABELS

Direct Thermal Transfer Label Rolls

- No Ribbon Required
- Environmentally Friendly
- Reliable Scannability
- 3" Core

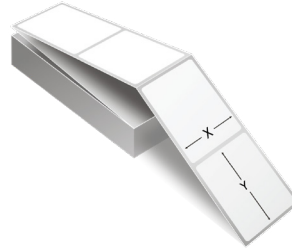


Item No.	Product Description
LB32-RDT, LB35-RDT, LB42-RDT, LB43-RDT, LB44-RDT, LB46-RDT, LB465-RDT	3' x 2', 3" x 5", 4' x 2', 4' x 3', 4' x 4', 4' x 6", 4' x 6.5"

* CUSTOM SIZES AVAILABLE

Direct Thermal Transfer Fanfolded Labels

- More Labels Per Pack Versus The Average Roll
- Perforated Labels
- Restacks After Printing

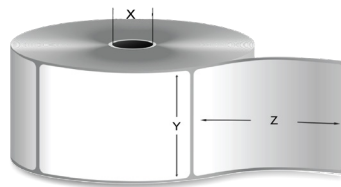


Item No.	Product Description
LB46-FDT	4" x 6"

* CUSTOM SIZES AVAILABLE

Desktop 1" Core Direct Thermal Labels

- 1" Core
- Perforated Labels
- For Desktop Printers

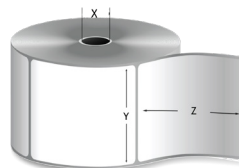


Item No.	Product Description
LB45-RDTD, LB46-RDTD	4' x 5', 4' x 6"

* CUSTOM SIZES AVAILABLE

Desktop .75" Core Direct Thermal Labels

- .75" Core
- Perforated Labels
- For Mobile Printers



Item No.	Product Description
LB42-RDTM	4' x 2'

* CUSTOM SIZES AVAILABLE

* CUSTOM COLORS AVAILABLE

